

MODEL: CMR-4015-44-SP | **DESCRIPTION:** ELECTRET CONDENSER MICROPHONE

FEATURES

- noise cancelling
- 4 mm diameter
- solder pad


SPECIFICATIONS

| parameter | conditions/description | min | typ | max | units |
|--|---|-----|------|--------|--------|
| directivity | noise cancelling | | | | |
| sensitivity [S] | at 1 kHz, 0 dB = 1 V/Pa | -47 | -44 | -41 | dB |
| standard operating voltage [Vs] | | 1.0 | | 5.0 | V |
| current consumption [I _{OSS}] | V _s = 2.0 Vdc, R _L = 2.2 kΩ | | | 500 | μA |
| sensitivity reduction [ΔS-V _s] | V _s = 2.0 ~ 1.5 Vdc | | | -3 | dB |
| frequency [f] | | 100 | | 10,000 | Hz |
| signal to noise ratio [S/N] | f = 1 kHz, A-weighted | 55 | | | dB |
| total harmonic distortion [THD] | at 94 dB SPL, 1 kHz | | | 1 | % |
| acoustic overload point [AOP] | | | | 120 | dB SPL |
| output impedance [Z _{out}] | f = 1 kHz | | | 2.2 | kΩ |
| dimensions | ∅4.0 x 1.5 | | | | mm |
| material | Al-Mg alloy | | | | |
| terminal | solder pads | | | | |
| weight | | | 0.07 | | g |
| operating temperature | | -40 | | 85 | °C |
| storage temperature | | -40 | | 85 | °C |
| RoHS | yes | | | | |

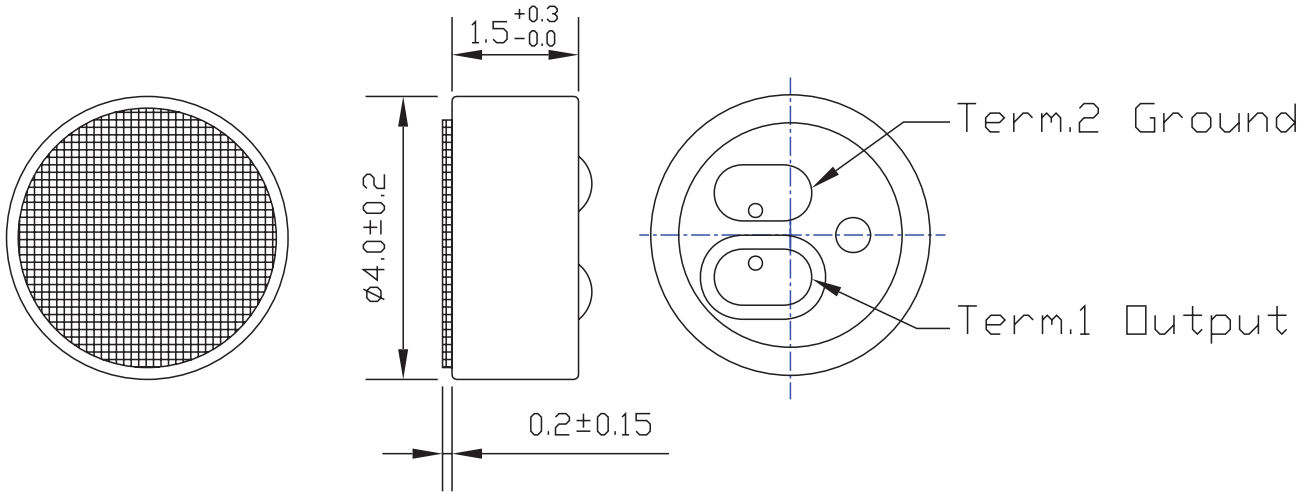
Notes: 1. We use the "Pascal [Pa]" indication of sensitivity as per the recommendation of I.E.C. (International Electrotechnical Commission). The sensitivity of "Pa" will increase 20 dB compared to the "ubar" indication. Example: -60 dB (0 dB = 1 V/ubar) = -40 dB (1 V/Pa)
 2. All specifications measured at 20±2°C, humidity at 65±5%, unless otherwise noted.

SOLDERABILITY

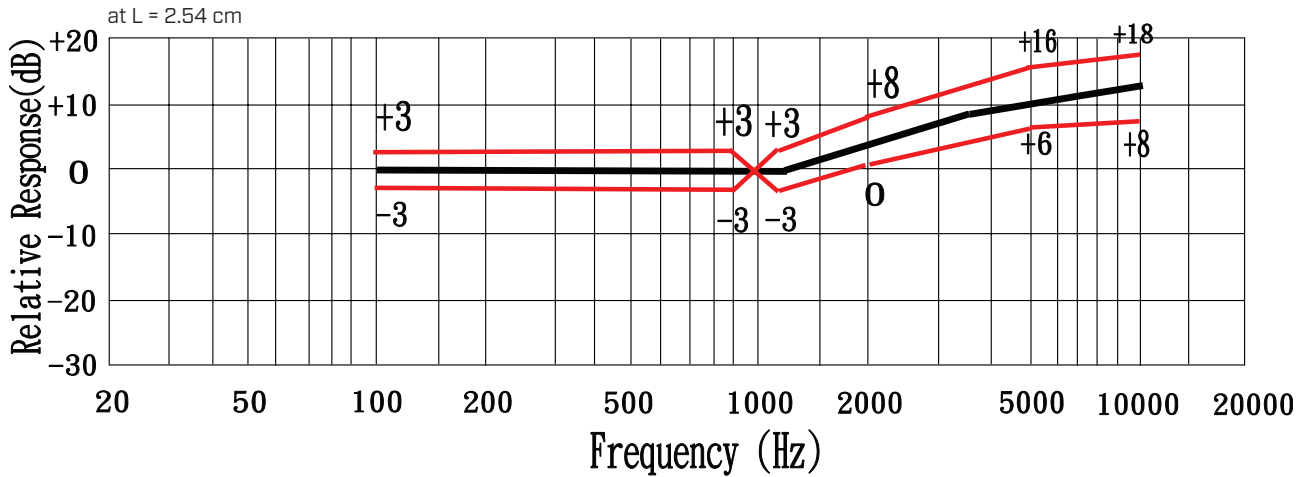
| parameter | conditions/description | min | typ | max | units |
|----------------|------------------------|-----|-----|-----|-------|
| hand soldering | for 1~2 seconds | | | 320 | °C |

MECHANICAL DRAWING

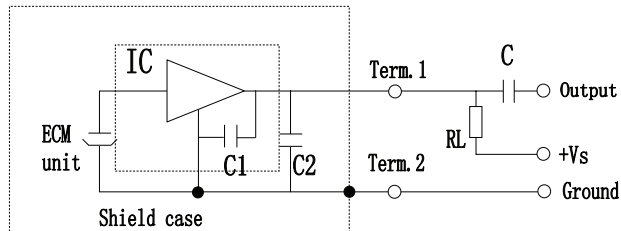
units: mm



FREQUENCY RESPONSE CURVE



APPLICATION CIRCUIT

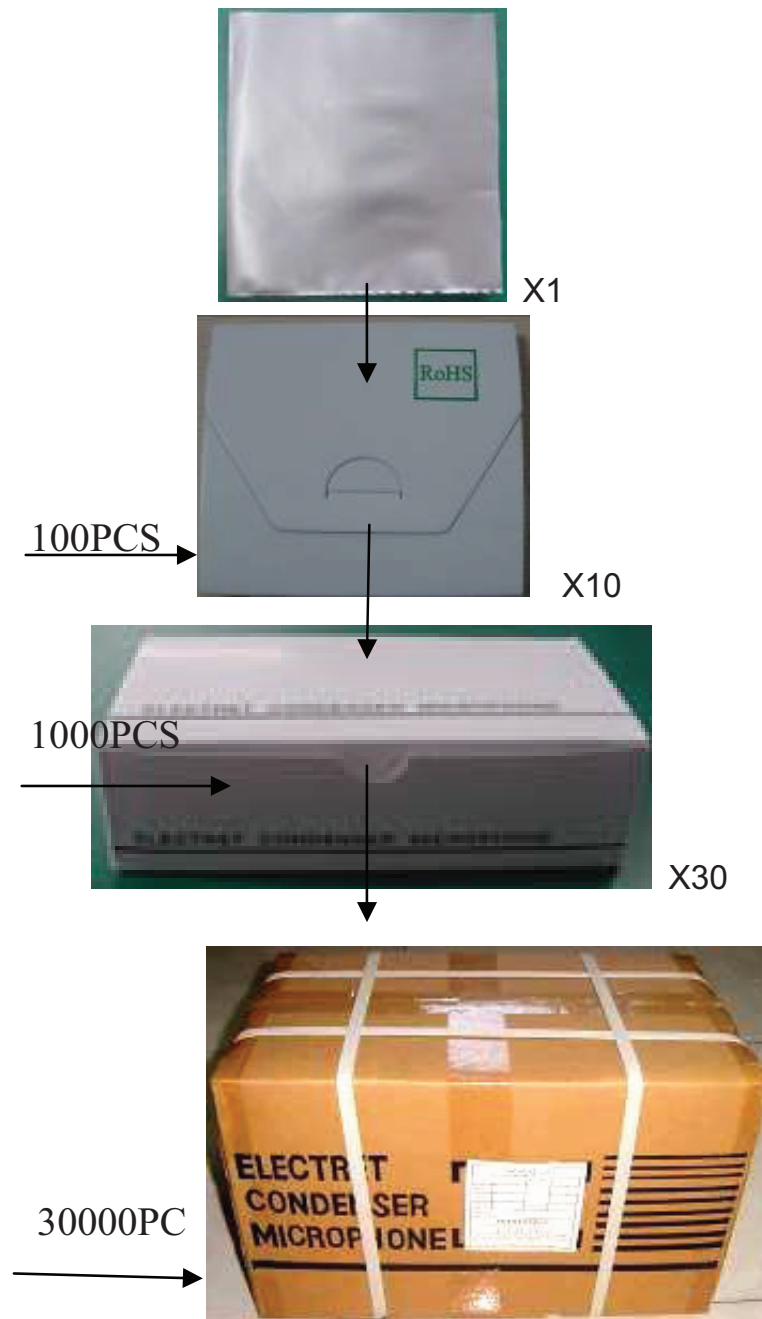


RL = 2.2 kΩ Vs=2.0 V C2=33 pF
 C = 1 μF C1=10 pF

PACKAGING

units: mm

Anti-Static Bag: 100 x 100 x 2 mm
Inner Box Size: 205 x 105 x 50 mm
Outer Box Size: 550 x 230 x 235 mm
Small Box QTY: 100 pcs per box
Inner Box QTY: 1,000 pcs per box
Outer Box QTY: 30,000 pcs per box



REVISION HISTORY

| rev. | description | date |
|------|-----------------|------------|
| 1.0 | initial release | 08/29/2022 |

The revision history provided is for informational purposes only and is believed to be accurate.



CUI Devices offers a one (1) year limited warranty. Complete warranty information is listed on our website.

CUI Devices reserves the right to make changes to the product at any time without notice. Information provided by CUI Devices is believed to be accurate and reliable. However, no responsibility is assumed by CUI Devices for its use, nor for any infringements of patents or other rights of third parties which may result from its use.

CUI Devices products are not authorized or warranted for use as critical components in equipment that requires an extremely high level of reliability. A critical component is any component of a life support device or system whose failure to perform can be reasonably expected to cause the failure of the life support device or system, or to affect its safety or effectiveness.

cuidevices.com