

Type PMC-DS-01-SOS (formerly PDC-01)
Panel Mount Fuse Holder
5 x 20mm
Driver / Screw



www.optifuse.com

(619)-593-5050

Electrical Rating: 10A, 250V AC

Fuse Style: 5 x 20mm

Material:

Body: Nylon

Terminals: Nickel-plated copper alloy; terminal, solder type, straight terminal

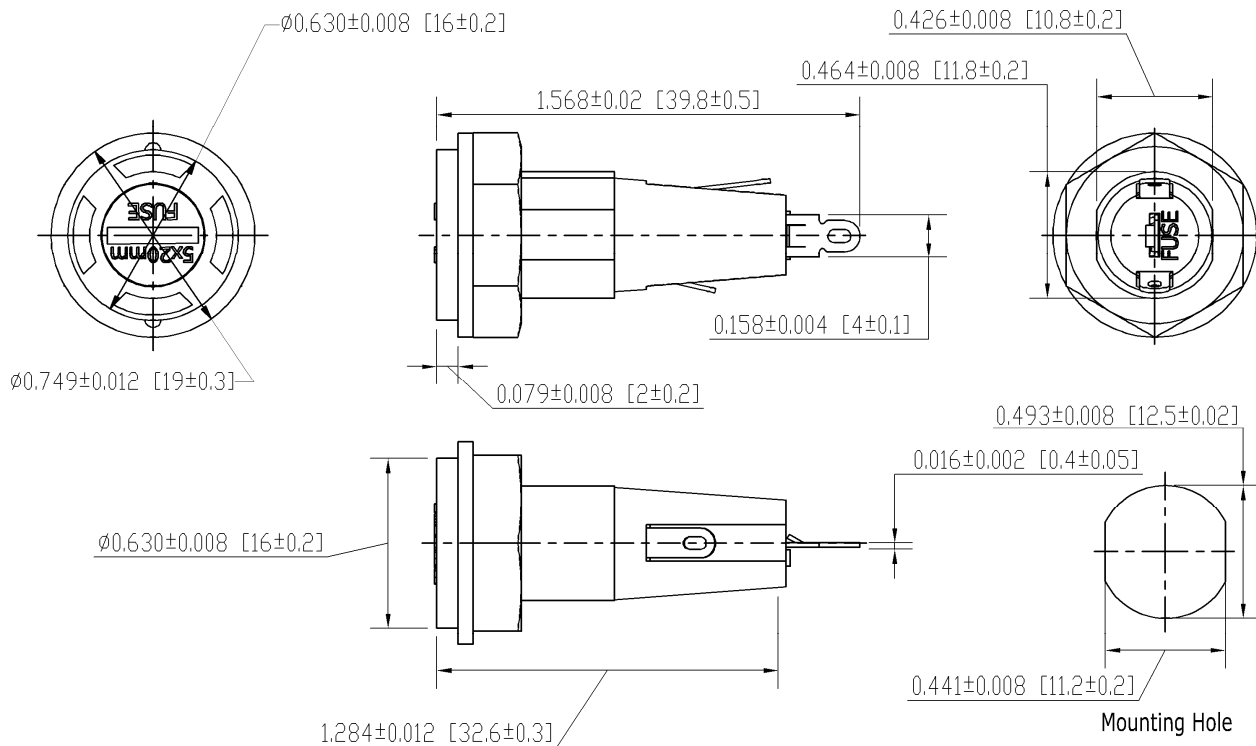
Mounting: Nylon hex nut-rear panel

Cap: Slotted Driver type, Screw type

Nickel-plated copper alloy insert

Terminal: Solder tab - 4.00mm / 0.156"

Product Dimensions: Inches [mm]



Warning:



- Operation beyond the specified maximum ratings or improper use may result in damage and possible electrical arcing and/or flame.
- Fuse Holders are not intended for circuit disconnect. All power should be disconnected before removing fuse.
- Avoid contact of Fuse Holder with chemical solvent. Prolonged contact will damage the device performance.