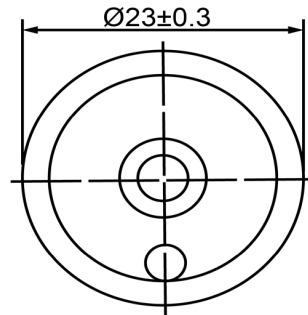
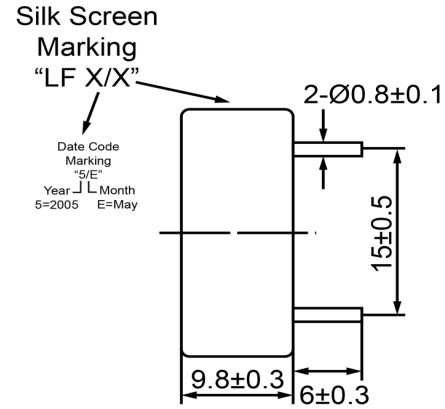




TOP VIEW



SIDE VIEW



Specifications			Notes	Revision History							
Description	Value	Unit		Version	Description		Date	Approved			
Technology	Piezo		1) All dimensions are in mm unless otherwise noted 2) All parts meet RoHS	1	Released from Engineering		10/21/2013	J.S			
Resonant Frequency	3,500	(Hz)									
Rated Voltage	12	(V)									
SPL @ 10cm	95	(dBA)									
Tone	Single										
Mount Type	Thru-hole										
Voltage Range	1.5 ~ 28	(V)									
Max Rated Current	10	(mA)									
Housing Material	PBT										
Operating Temperature	-20 ~ +70	°C									
Storage Temperature	-20 ~ +70	°C									
Weight	4	(g)									
 DB UNLIMITED			 Piezo Indicator			IP233512-1					

Additional considerations can be found at www.dbunlimitedco.com/technical-articles.