

CS134-15D07-55-1

Former P/N: 5412PX

Rev. 5-2023
RoHS3 & REACH
Coaxial Speakers



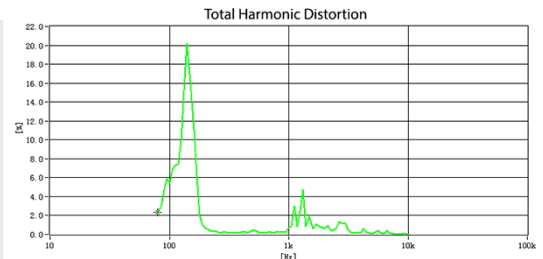
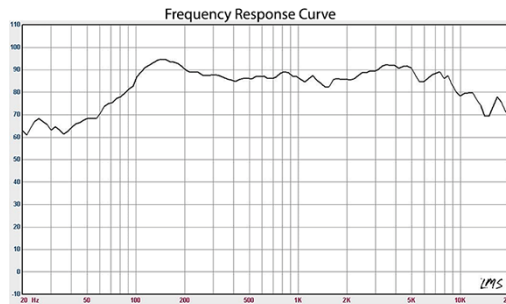
Operating Characteristics

ELECTRICAL

Rated Power	15.0 W
Short Term Max Power	30.0 W
Impedance	4 Ω ± 15 % 1000 Hz; 0.25 W

ACOUSTIC: Baffle Board

f_0	150 Hz ± 20 % 0.25 W
Freq. Range	150 to 13000 Hz
Rated SPL	88 ± 3 dB 400, 600, 800, 1000, 1500 Hz; 1 W; 100 cm;
Distortion	< 5 % 1000 Hz; 0.125 W



Thiele Small Parameters:

Revc = 3.600 Ohm	Fo = 168.857 Hz	Sd = 100.290 cm	Krm = 8.458m Ohm
Ern = 0.590	Kxm = 6.233m H	Exm = 0.613	Vas = 1.984 Ltr
Cms = 138.9u MN	Mmd = 5.552 g	Mms = 6.129 g	BL = 3.638 T-M
Qms = 5.168	Qes = 1.807	Ots = 1.339	No = 0.534%
SPLo = 89.296 dB			

Physical Characteristics

MATERIALS

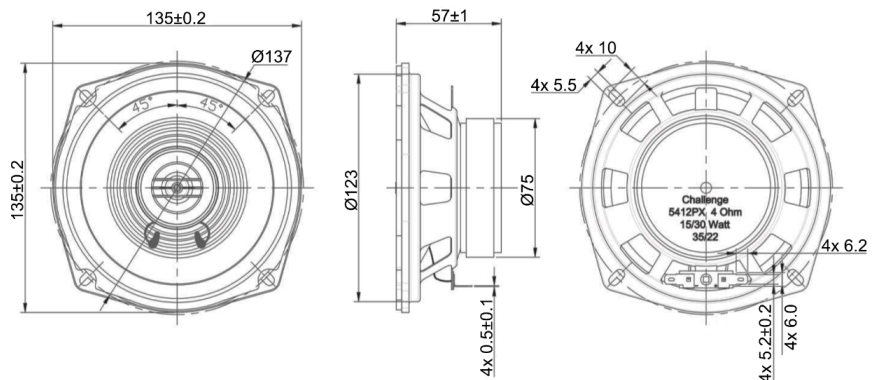
Housing	Steel
Cone	Paper with foam edge
Magnet	NdFeB
Solder Tab	Tin Plated Iron

Coaxial Mounting: Tweeter + Speaker

TEMPERATURE RANGES

Operating	-25 to +65 °C
Storage	-30 to +70 °C

Weight 623 g



General tolerance = ±0.3 mm and all measurements in mm unless otherwise noted.

Revision	Description	By	Date
4-2022	Added THD curve and Thiele Small Parameters. Updated photo, freq. response curve, mechanical drawing, resonant frequency, freq. response range, weight, freq. test conditions, cone material, SPL, distortion test wattage, CT and operating temperature. Updated from Square Speaker to Coaxial Speaker.		2022-09-29
5-2023	Added terminal dimensions. Added 4x to mounting dimensions.	AL	2023-02-02

Warranty: For a period of one (1) year from date of shipping under normal operations conditions. This warranty does not apply to products damaged through misuse, abuse, improper installation, alteration, rework, or attempt to repair.

The information contained herein is believed to be correct, but no guarantee or warranty, express or implied, with respect to accuracy, completeness or results is extended and no liability is assumed. Challenge Electronics reserves the right to make changes in any specification, data or material contained herein.