

**SPECIFICATIONS:**

Insulation Resistance: 1,000MΩ min. at 500V DC  
 Withstanding Voltage: 1,000Vrms for 1min  
 Voltage Rating: 335V AC  
 Current Rating: 1.0A MAX  
 Contact Resistance: 5mΩ max. at 20mV max.  
 Operating Temp.: - 40°C ~ +105°C  
 Mating Cycle: 25 times

**PART NUMBER:**
**HF106P-0012-0X-VE**

Series Name

RA Mount 1pin

Key Codes:

Key M: Orange

Other Key Codes currently under development

**MATERIALS AND FINISH:**

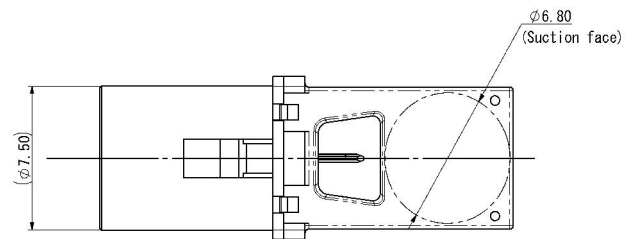
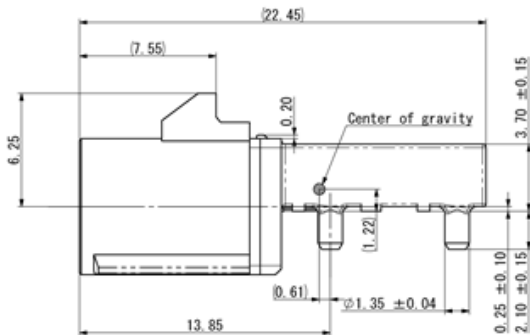
Insulator: Heat Resistance Plastic  
 Contacts:
 

- Outer Contact: Zinc Alloy
- Center Contact: Copper Alloy

**AUTOMOTIVE COMPLIANT**


**FEATURES:**

- USCAR-18 Guidelines Compliant
- USCAR-17 Physical Stress Test Compliant
- RA SMT Mount

**OUTLINE DIMENSIONS:**

**Top View**
**RECOMMENDED PCB LAYOUT:**
