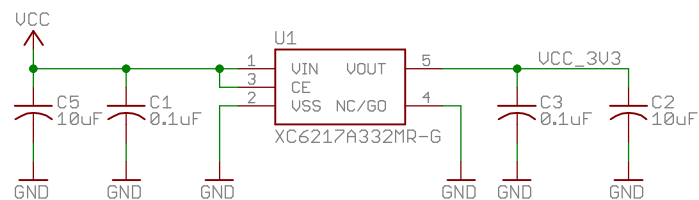
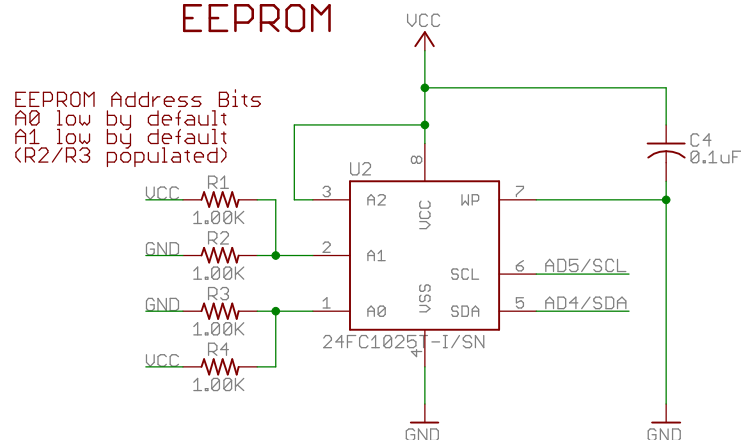


3.3V Power Supply

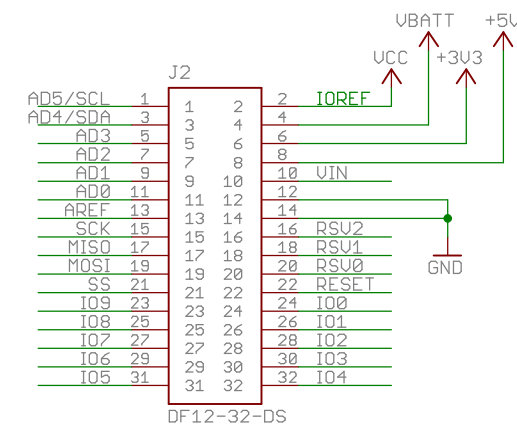


Note: Not populated on EEPROM boards

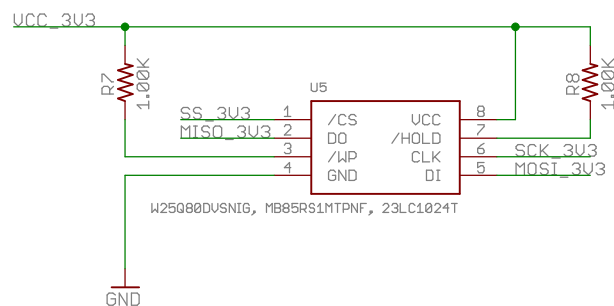
EEPROM



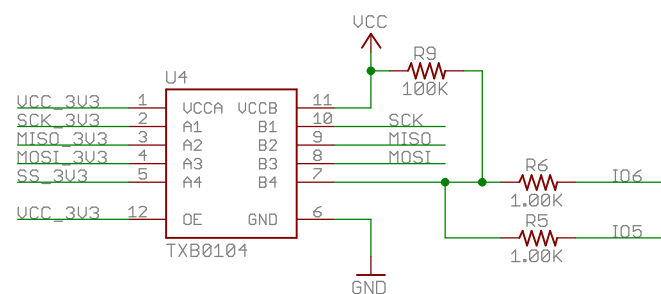
TinyShield Expansion - Bottom



FRAM/SRAM/FLASH



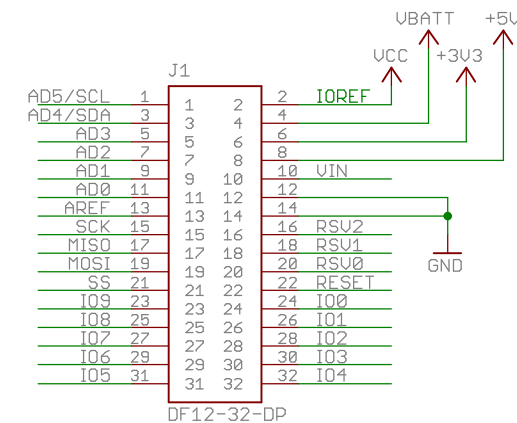
SPI Level Shifter



Note: Not populated on EEPROM boards


Chip select for SPI memory
R5 populated by default
R6 not populated by default

TinyShield Expansion - Top



Released under the Creative Commons Attribution Share-Alike 3.0 License
<http://creativecommons.org/licenses/by-sa/3.0>

Original Arduino Uno Design by Team Arduino
LilyPad Arduino Design by Leah Buechley and Sparkfun Electronics
TinyDuino, TinyLily and TinyShield Designs by TinyCircuits

		http://www.TinyCircuits.com	
TITLE: TinyShield - Memory Board			
Document Number: AS-SCH-ASD2202			REV: 3
Date: 5/2/2016 2:43:01 PM			Sheet: 1/1