

# Product Specification

## Patch Antenna



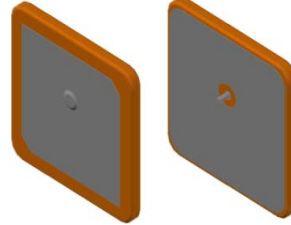
### JTT1575S25P2A

#### Feature

High gain , Compact

Pin type

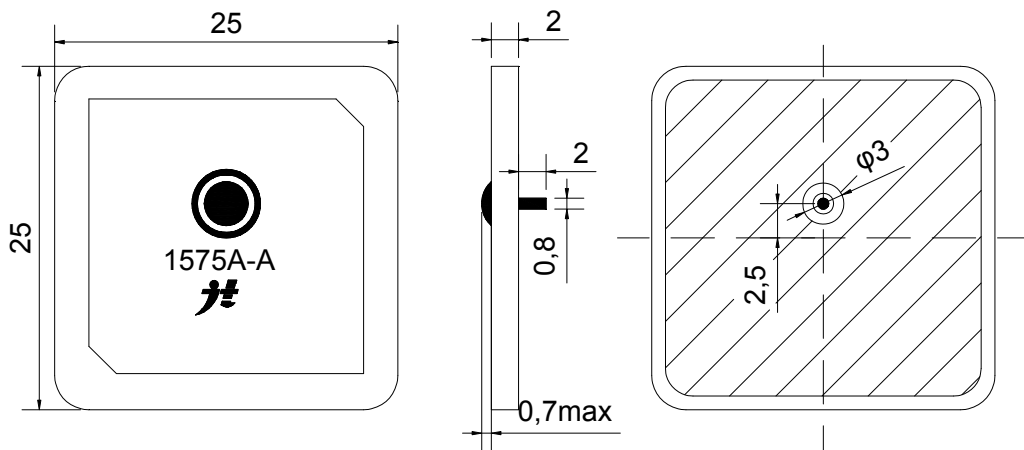
Customization available



#### Electrical Specification

1 Center Frequency	1575.42 ± 3.0 MHz
2 Return Loss @ F0	≥25 dB
3 VSWR @ F0	
4 Bandwidth @ 10dB Return loss	≥7.5 MHz
5 Polarization	RHCP
6 Gain @ Zenith	0 dBi typ.
7 Gain @ 10° elevation	
8 Axial Ratio @ F0	≤5.0 dB
9 Ground plane	27 x 27 mm
10 Impedance	50 Ω
11 Frequency Temperature Coefficient	±20 ppm/°C
12 Operation Temperature Range	-40 ~ +85°C

#### Mechanical Drawing



Tolerance Unless Otherwise Specified:±0.30  
Unit: mm