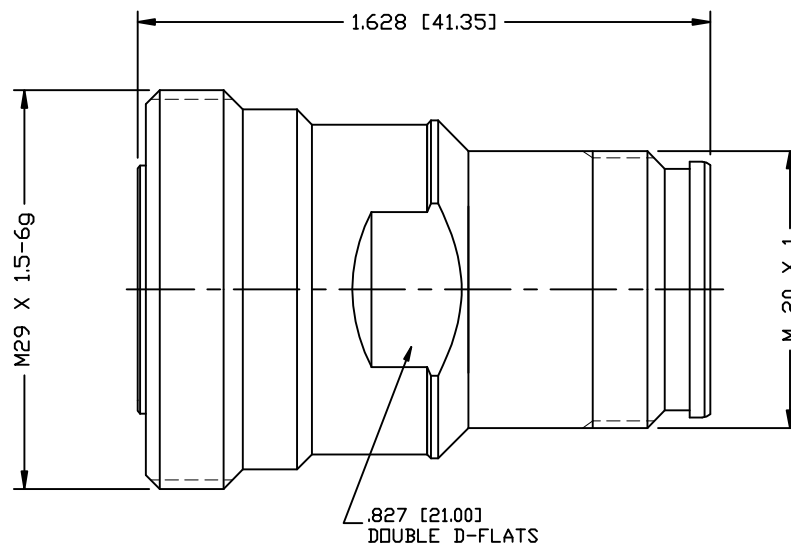


PART NO.

**RFD-1685-4**

REV	DESCRIPTION	DWN	DATE	APPROVED
-	ENGINEERING RELEASE	CZS	06/24/15	JDMc

SPECIFICATIONS:

IMPEDANCE: 50 Ohms

FREQUENCY RANGE: 0-6 GHz

VSWR:  $\leq 1.15$ PIM:  $\leq -160\text{dBc}$ 

DIELECTRIC WITHSTANDING VOLTAGE: 2000V/AC

INSULATION RESISTANCE: 1000M $\Omega$ OPERATING TEMPERATURE:  $-40^{\circ}$  to  $+155^{\circ}$ CUSTOMER  
OUTLINE DRAWINGALL DIMENSIONS  
ARE REFERENCE ONLYUNLESS OTHERWISE SPECIFIED:  
DIMENSIONS ARE IN INCHES  
AND [MILLIMETERS]DRAWN  
JDM 06/24/15

CHECKED

ORJ DRAWN  
C. ZUNIGA 06/24/15

PROPRIETARY AND CONFIDENTIAL

THIS DRAWING CONTAINS  
INFORMATION PROPRIETARY TO  
RF INDUSTRIES. ANY  
UNAUTHORIZED USE OF THIS  
DRAWING IS EXPRESSLY  
PROHIBITED WITHOUT WRITTEN  
PERMISSION FROM RF  
INDUSTRIES. ANY VIOLATION IS  
PUNISHABLE UNDER U.S.  
COPYRIGHT LAWS.**RFconnectors**7610 MIRAMAR RD.  
SAN DIEGO, CA 92126  
(858) 549-6340  
DIVISION OF RF INDUSTRIES, LTD. (858) 549-6345 FAX**4.3/10 FEMALE TO  
7-16 DIN FEMALE ADAPTER**

SIZE	CABLE GROUP	DWG NO.	REV
A	N/A	<b>RFD-1685-4</b>	—
SCALE:	ENGINEERING ID:	SHEET 1 OF 1	
NTS	001787		

#	DESCRIPTION	QTY	MATERIAL	FINISH
4	GROUND RING	1	BeCu	WHITE BRONZE
3	INSULATOR	1	PTFE	---
2	CONTACT	1	BeCu	SILVER
1	BODY	1	BRASS	WHITE BRONZE