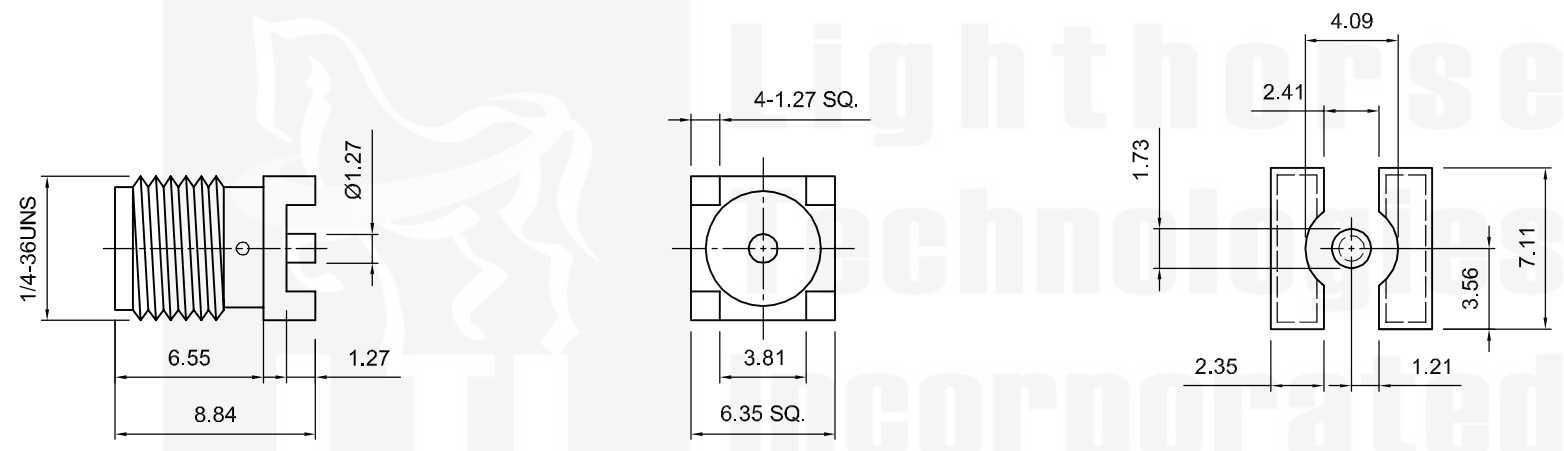





Tolerances
 1-20=+/-0.2
 20-30=+/-0.3
 30-40=+/-0.4
 40-50=+/-0.5
 50-100=+/-0.75
 100-300=+/-1.5
 Angles=+/-1

Dimensions are in Millimeters

Revisions Description/Approved/Date	Approved M.H.	Date 3/27/99
	Checked M.H.	Date 3/27/99
	Drawn K.R.E.	Date 3/24/99
NOTES (plating thickness in micro-inches): 1. Per QQ-B-626 2. Per QQ-S-764 3. Per QQ-C-530 4. Per QQ-B-750 5. Per MIL-P-19468 6. Per ZZ-R-765 7. Per WW-T-799 8. Gold pl. 5 min. over nickel pl. 50 min. over copper strike 9. Nickel pl. 100 min. over copper strike 10. Per QQ-P-35 11. Gold pl. 30 min. over nickel pl. 50 min. over copper strike		



PCB LANDING PAD DIMENSIONS

ITEM	MATERIAL	FINISH	 Lighthouse Technologies, Inc. 5640 Kearny Mesa Rd, Ste. N San Diego, California 92111 Part Number: LTI-SASF66GT
Connector Body	Brass, Note 1	Gold, Note 8	
Center Contact: Female	Beryllium Copper, Note 3	Gold, Note 11	
Insulation	Teflon, Note 5	None	
Ferrule	--	--	
Gasket	--	--	
Hex Nut	--	--	
Lock Washer	--	--	
Description			SMA surface mount PCB jack. Gold plated brass body, teflon dielectric.
Scale	3:1	Drawing No.	