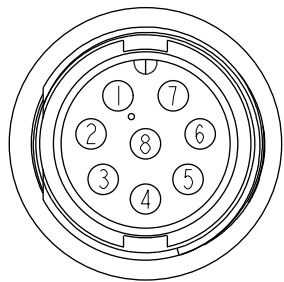
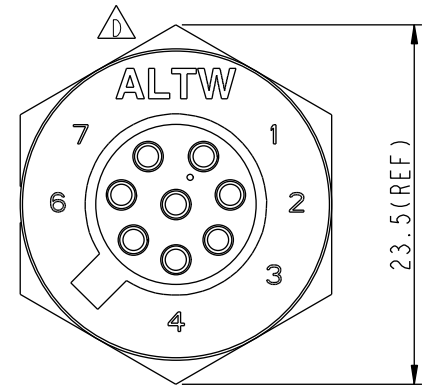
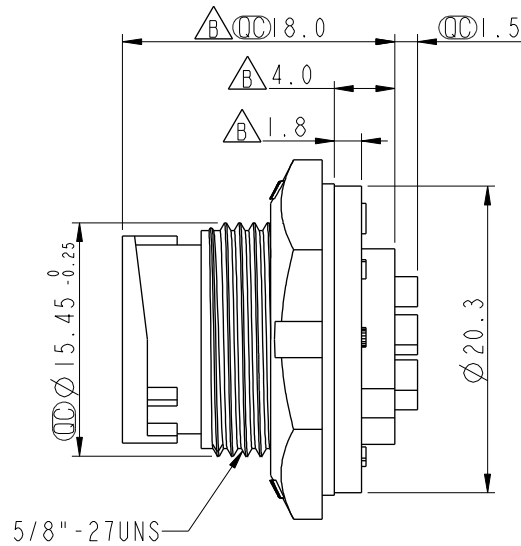
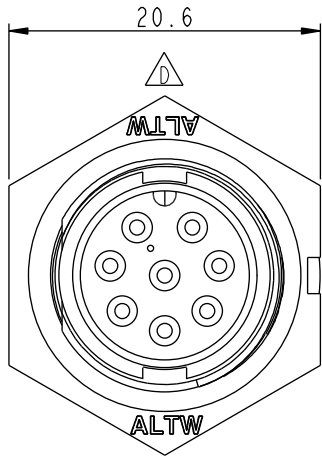
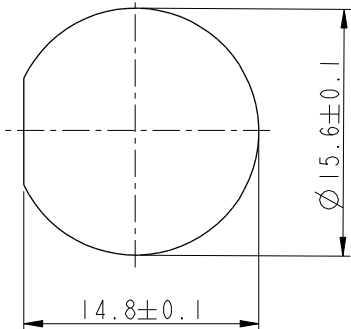


ALTW  
 CONFIDENTIAL  
 2019-02-25  
 R&D DEPT.

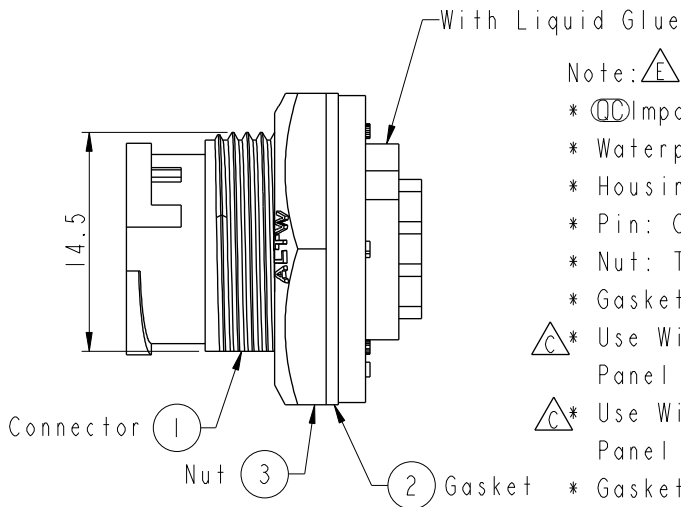
REV.	ECN NO.	DATE	SIGN	DESCRIPTION
C	LEN-8B0404	2008/09/17	Shin	Add Note
D	LEN1530130	2014/12/18	Jinhai	Change Logo
E	CI90273	2019/02/25	Ruru	Modify Note



Pin Assignments  
 Front View



Recommended Panel Cut-out



Note:  $\triangle$

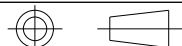
- \*  $\odot$  Important Dimension To Check.
- \* Waterproof Rate: IP67, Unmated
- \* Housing: Thermoplastic, Black
- \* Pin: Copper Alloy, Gold Plated
- \* Nut: Thermoplastic, Black
- \* Gasket: Rubber, Black

$\triangle$  \* Use With Waterproof Cap Or Dust Cap  
 Panel Thickness Max: 3.0mm

$\triangle$  \* Use Without Waterproof Cap Or Dust Cap  
 Panel Thickness Max: 4.5mm

\* Gasket and Nut are packed separately in PE bags.

UNIT:mm



TITLE Standard Panel Lock 8Pin M Conn M Pin			
SCALE 2:1	SIZE A4	SHEET 1 OF 1	
REV. E	WC-REV. A.3	$\odot$ : Inspection item	

**Amphenol LTW**  
 安費諾亮泰企業股份有限公司

ITEM NO. BD-08PMMS-LC7001	DRAWN BY Ruru	DATE 2019-02-25
DWG NO. BD-08PMMS-LC7001	CHECKED BY Rita	DATE 2019-02-25
CUSTOMER ALTW	APPROVED BY Max	DATE 2019-02-25

THIS DOCUMENT IS SUBJECT TO CHANGE WITHOUT NOTICE. IT IS CONFIDENTIAL AND A PROPERTY OF AMPHENOL LTW. DISCLOSURE TO THIRD PARTY HAS TO BE AUTHORIZED BY AMPHENOL LTW.