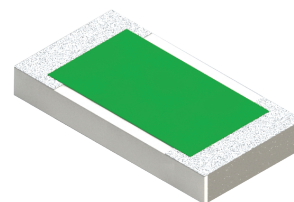


RP1206ZZ-XXXXJN-96 Features:

- Wraparound Terminals
- Solder Attachment
- Customer Defined Testing Available
- RoHS Compliant Available
- Tape & Reel or Waffle Pack Available (Standard is bulk)
- 5% Resistor Tolerance

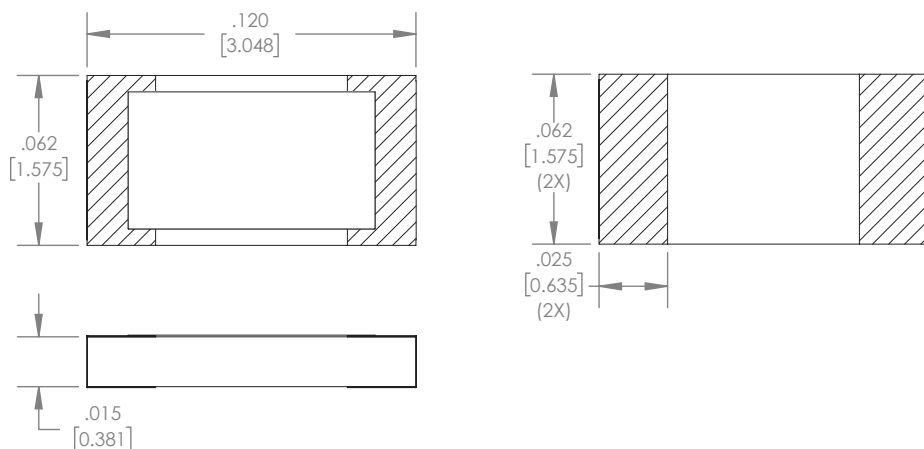


RP1206ZZ-XXXXJN-96 Parameters:

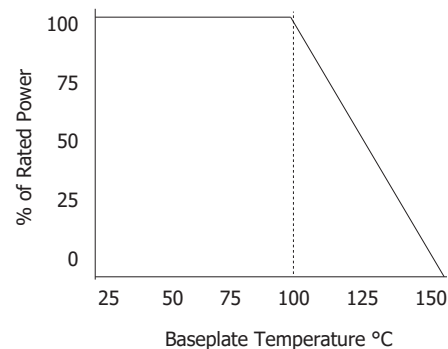
| | |
|------------------------|-------------------|
| Resistance Range: | 0.5Ω - 1MΩ |
| Rated Power: | 16W* |
| Construction: | Thick Film on BeO |
| Operating Temperature: | -55 to +150°C |

* Rating based on ≤100°C constant baseplate temperature

RP1206ZZ-XXXXJN-96 Dimensions:



RP1206ZZ-XXXXJN-96 Power Derating Curve



Dimensions in inches [mm]
 Tolerance is ± 0.005 [0.127]
 unless otherwise stated

Ordering Information:

| | | | | | | | | | |
|---|-------------|--|----------|------------------|---|----------|---------------------------|---|-----------|
| RP | 1206 | ZZ | - | XXXX | J | N | - | 96 | UU |
| Prefix for Wraparound Resistor | Size 1206 | Value Code Examples 1002 - 10KΩ 1003 - 100KΩ 1004 - 1MΩ | | Tolerance J - 5% | Normal Inspection Contact factory for additional options | | Substrate 96 - 0.015" BeO | Packaging Blank - Bulk TR - Tape and Reel WP - Waffle Pack | |
| Terminal Metallization | | RoHS | Magnetic | Solder | Epoxy | Wirebond | | | |
| CB - Sn62 over Nickel over Silver | | No | Yes | Yes | No | No | | | |
| CC - 100% Matte Tin over Copper over Silver | | Yes | No | Yes | No | No | | | |
| CT - 100% Matte Tin over Nickel over Silver | | Yes | Yes | Yes | No | No | | | |

Barry Industries reserves the right to change part number and/or process without notification.

RP1206ZZ-XXXXJN-96 Reliability Specifications:

| Parameter: | Test Condition: | Results: |
|--------------------------------|---|--|
| Short Time Overload | Apply 1.1x Rated Power for 5 Seconds. | ≤ 5.0% Resistance Shift |
| Rated Load Life | Apply 1/2 Power Under 40°C ±2°C 90 Minutes on/ 30 Minutes off. Repeat for 100 hours | ≤ 5.0% Resistance Shift |
| Moisture Resistance | MIL-PRF-55342 para 4.8.9 95% RH, 25°C - 65°C | ≤ 5.0% Resistance Shift |
| Resistance to Soldering Heat | MIL-STD-202 Method 210 and MIL-PRF-55342 Para 4.8.8.1 | ≤ 5.0% Resistance Shift |
| Resistance to Bonding Exposure | MIL-PRF-55342 Para 4.8.8.2 | ≤ 5.0% Resistance Shift |
| Solderability | MIL-PRF-55342 Para 4.8.12 | >95% Covered |
| High Temperature Storage | 125°C ±2°C for 500 Hours | 1.) ≤ 5.0% Resistance Shift 2.) No Significant Abnormality (Visual) |
| Thermal Shock | -65°C to +150°C 30 Minutes Dwell, 5 Cycles | 1.) ≤ 5.0% Resistance Shift 2.) No Significant Abnormality (Visual) |

Barry Industries reserves the right to change part number and/or process without notification.