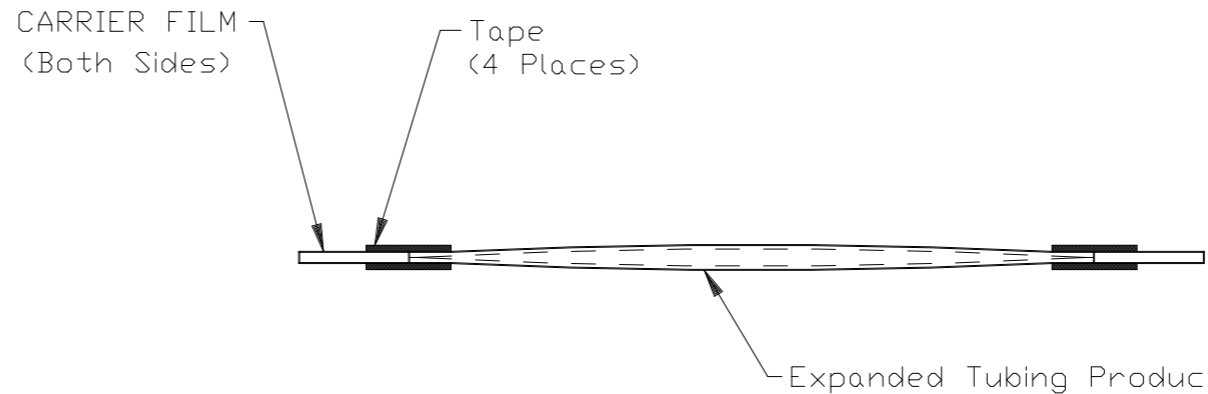
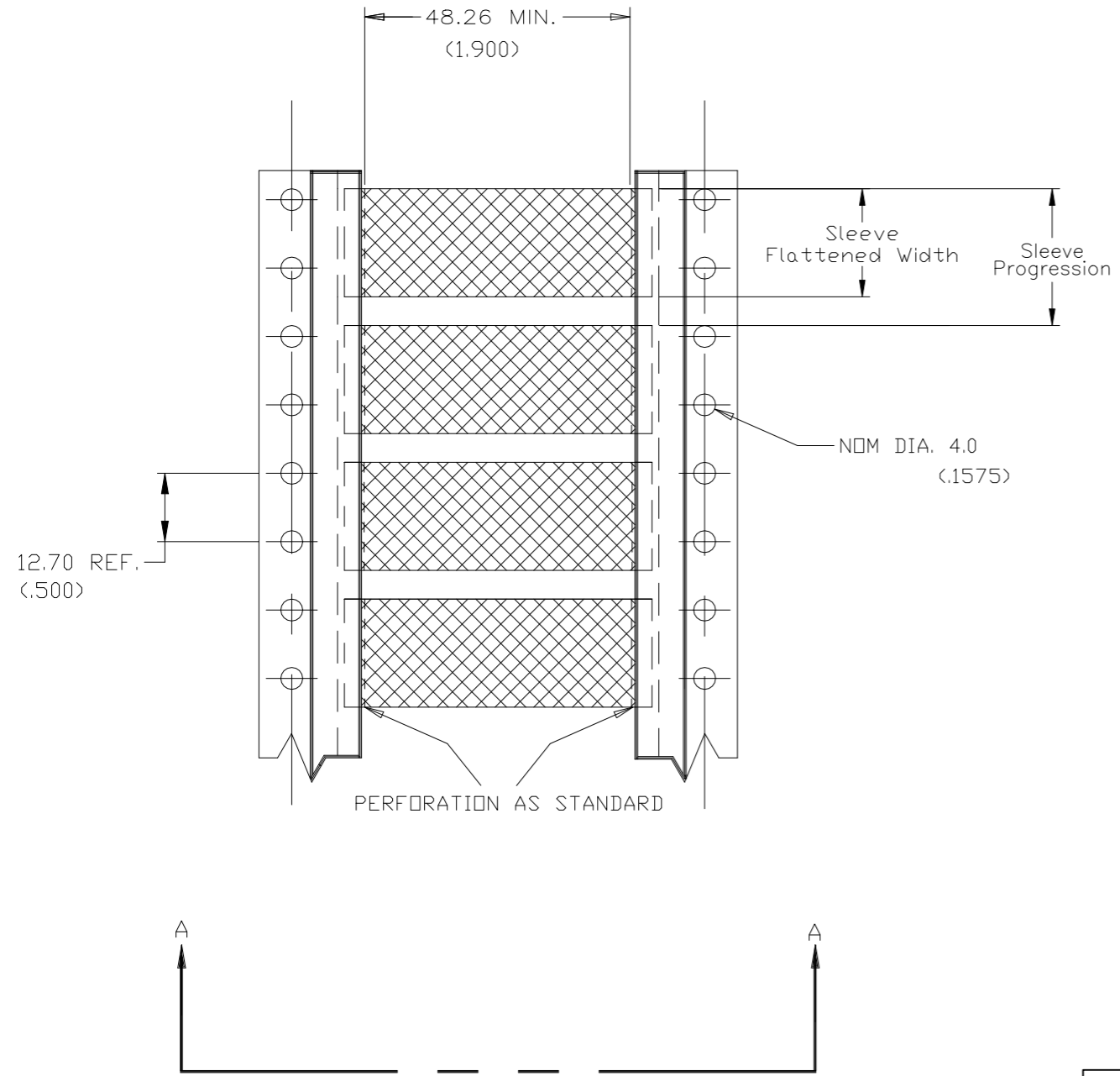


REVISIONS					
P	LTR	DESCRIPTION	DATE	DWN	APVD
J1		UPDATE FLAT WIDTH ECR-21-106386	05JUL2021	AFK	LS

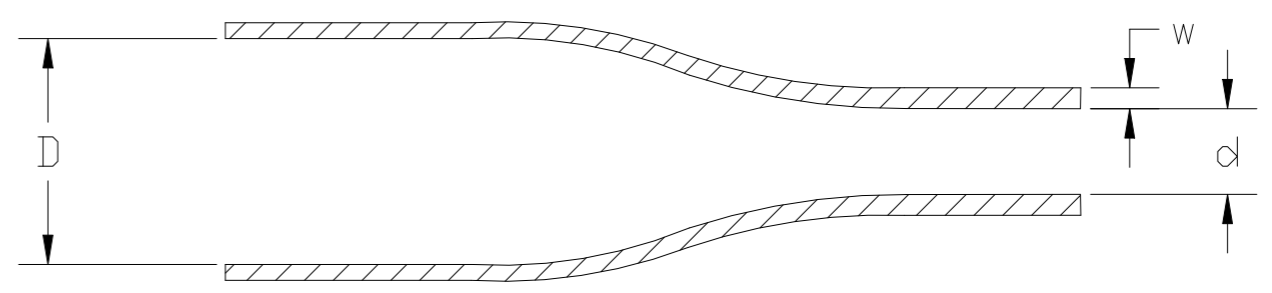


SECTION A - A



Product Size	2.4	3.2	4.8	6.4	9.5	12	18	25	38
Minimum Sleeve Flattened Width	4.45 (.175)	5.84 (.230)	8.00 (.315)	10.67 (.420)	15.49 (.610)	20.45 (.805)	30.48 (1.200)	40.39 (1.590)	60.33 (2.375)
Nominal Sleeve Progression	12.70 (.500)	12.70 (.500)	12.70 (.500)	16.94 (.667)	25.40 (1.000)	29.64 (1.167)	42.34 (1.667)	50.80 (2.00)	71.96 (2.83)
"D" Minimum Supplied I.D.	2.39 (.094)	3.18 (.125)	4.75 (.187)	6.40 (.250)	9.53 (.375)	12.70 (.500)	19.05 (.750)	25.40 (1.00)	38.10 (1.50)
"d" Maximum Recovered I.D.	0.79 (.031)	1.07 (.042)	1.57 (.062)	2.11 (.083)	3.17 (.125)	4.22 (.166)	6.35 (.250)	8.46 (.333)	19.05 (.750)
"w" Recovered wall ±0.08 (.003)	0.51 (.023)	0.51 (.023)	0.58 (.023)	0.58 (.023)	0.61 (.024)	0.61 (.024)	0.61 (.024)	0.64 (.025)	0.64 (.025)

DIMENSIONS IN mm (inches)



THIS DRAWING IS A CONTROLLED DOCUMENT.		DWN AFK CHK -	08JAN2020	TE Connectivity			
DIMENSIONS: mm		TOLERANCES UNLESS OTHERWISE SPECIFIED: 0 PLC ± - 1 PLC ± - 2 PLC ± - 3 PLC ± - 4 PLC ± - ANGLES ± -				APVD LS 20JAN2020	NAME D-SCE
		MATERIAL CROSSLINKED POLYOLIFIN		FINISH -	PRODUCT SPEC RW-2519 APPLICATION SPEC 411-121008 WEIGHT VARIOUS	SIZE A3 CAGE CODE 0198G DRAWING NO C-MCD160000	RESTRICTED TO -
CUSTOMER DRAWING				SCALE NTS	SHEET 1 OF 1	REV J1	